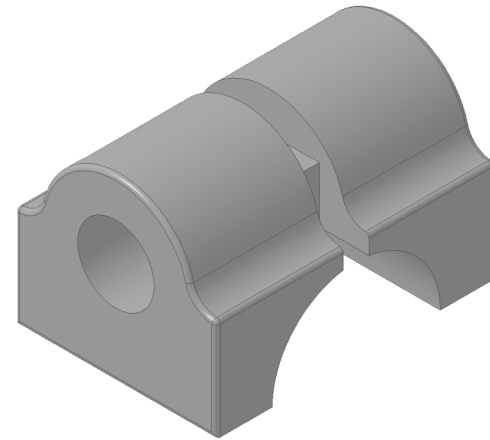
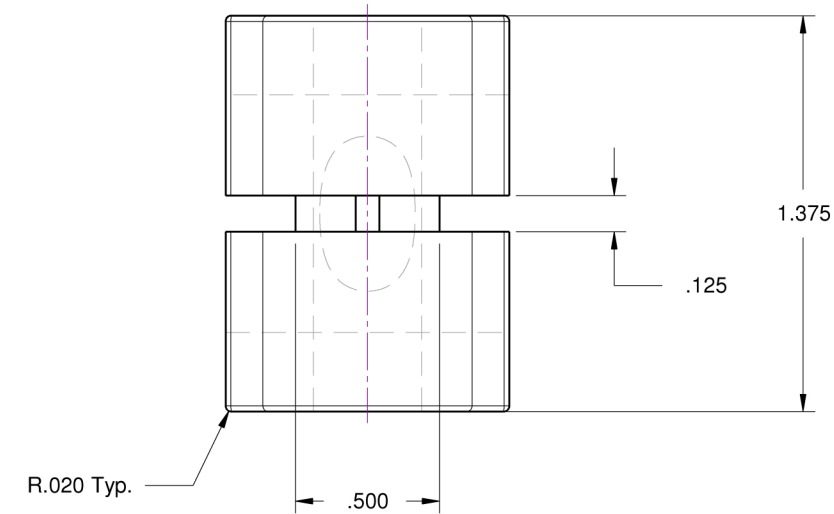
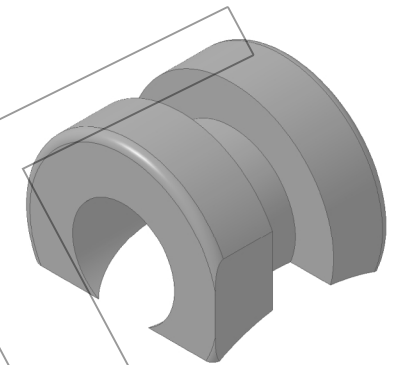
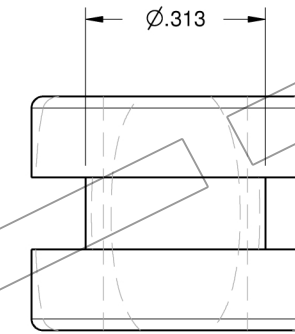


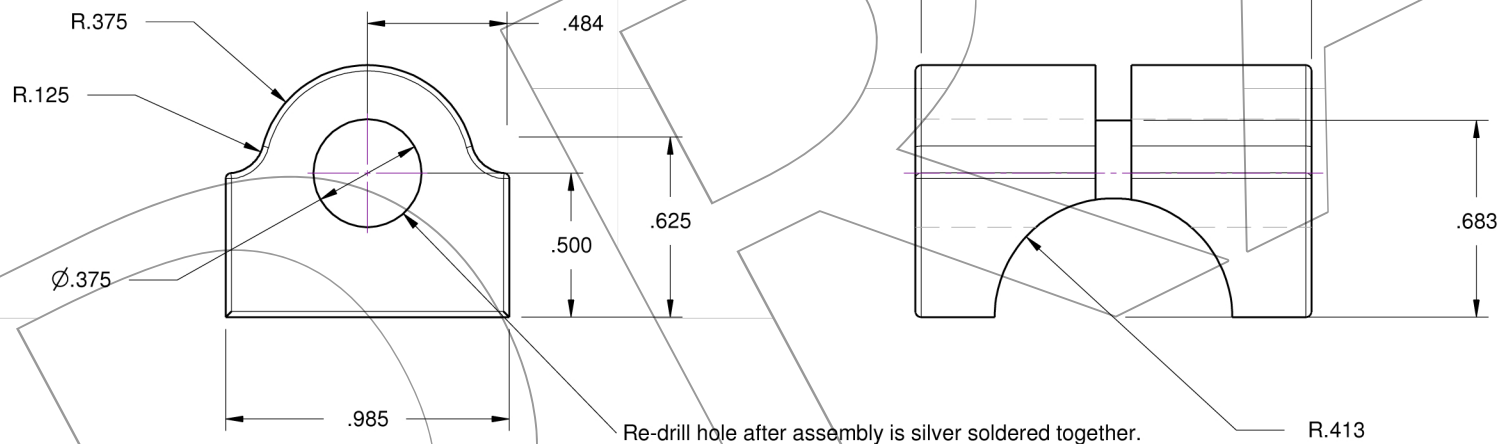
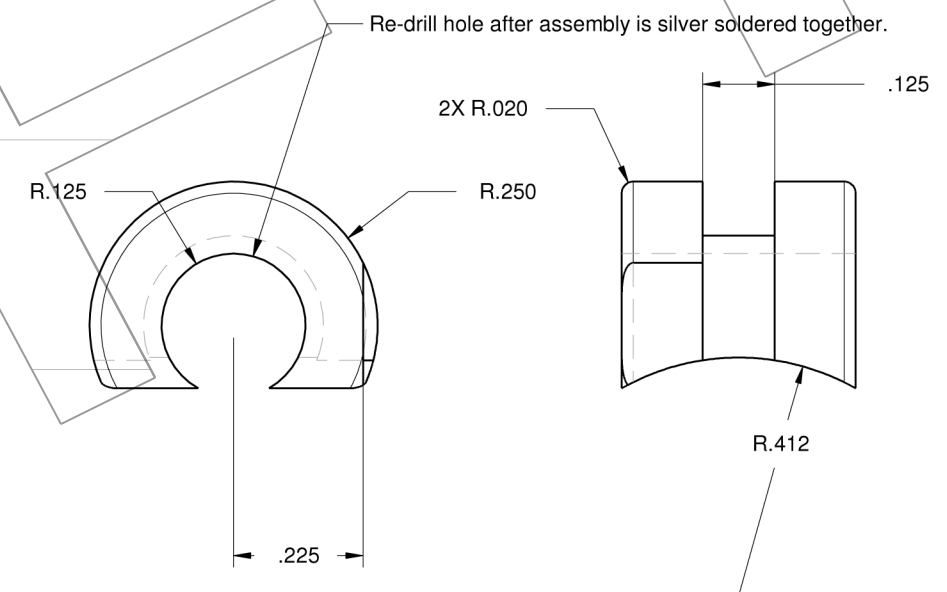
#6C-3 Pivot Block  
 Qty. 1 ea  
 Rev. 1  
 Material; Steel  
 Scale 1.5 : 1



#6C-6 Bushing  
 Qty. 1ea Left & Right  
 Rev. 1  
 Material; Steel  
 Scale 3 : 1



Right Hand Shown



# LIGHTNING BALANCED ENGINE

MORRISON & MARVIN ENGINE WORKS

Box 555 Benton City, WA 99320 USA

|   |                    |  |                 |
|---|--------------------|--|-----------------|
| DESIGNED BY<br>Roland Morrison / Marvin Hedberg |                    | DESCRIPTION<br><b>Front Axle Parts</b> |                 |
| DRAWN BY<br>Dave Otto                           | DATE<br>11/21/2015 |  |                 |
| MATERIAL  | SIZE<br><b>B</b>   | PART NO.                               | REV<br><b>1</b> |
|   | SCALE              | SHEET                                  |                 |